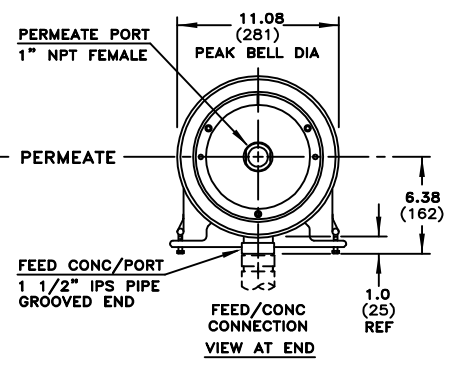
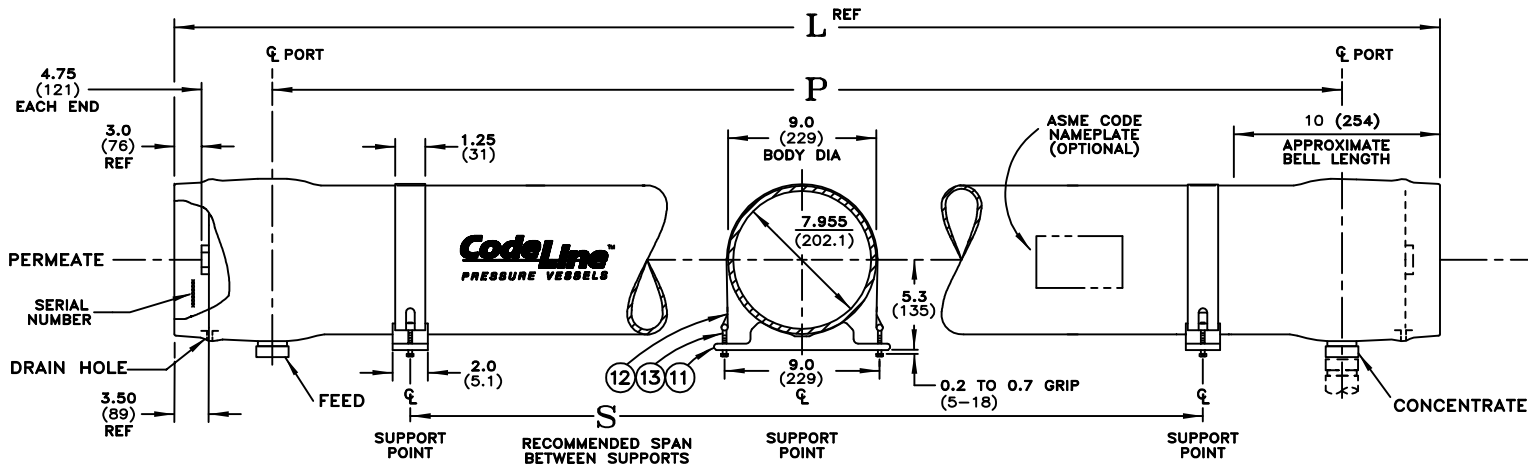
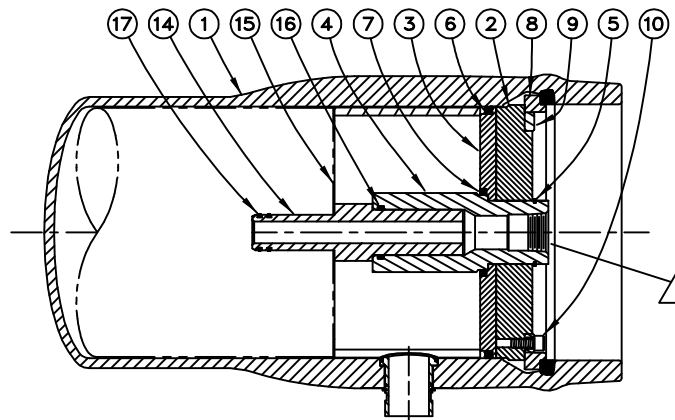


1000
PSI
SP



VIEW AT CENTER SUPPORT
CENTER VESSEL ON 2 OR 3 SUPPORTS
AT SPAN(S) "S": 3 SUPPORTS REQUIRED
FOR LENGTHS -4 AND OVER

CAUTION—INCORRECT MANIFOLDING
WILL CAUSE SEVERE LOCAL STRESS
AROUND PORT AND MAY RESULT IN
LEAKS AND PREMATURE FAILURE;
TAKE EVERY PRECAUTION LISTED
ON REVERSE, SEE INSTALLATION
INSTRUCTIONS FOR FURTHER DETAILS



SECTION THROUGH END CLOSURE
ITEM 15 DOWNSTREAM ONLY

WARNING!
INTERNAL PORT PRESSURE
MUST NOT EXCEED 125 PSI

Dwg. Ref.	Qty.	Item Number	Description	Materials/Remarks
SHELL				
①	1		Shell	Filament wound epoxy/glass composite—Head locking grooves integrally wound in-place, with Superduplex steel (CD3MWCuN) ports.
HEAD				
②	2	50665	Bearing Plate	6061-T6 aluminum alloy—hard anodized
③	2	50667	Sealing Plate	PVC Thermoplastic
④	2	50669	Permeate Port	PVC Thermoplastic
⑤	2	45248	Port Retainer	316 Stainless Steel
⑥	2	45320	Head Seal	Ethylene Propylene, Quad Ring
⑦	2	45350	Perm Port Seal	Ethylene Propylene, square-cut
HEAD INTERLOCK				
⑧	6	45098	Locking Ring	316 Stainless Steel
⑨	2	50676	Securing Ring	Reinforced Plastic - Yellow Color
⑩	6	45228	Securing Screws	316 Stainless Steel
VESSEL SUPPORT				
⑪	*3	52169	Universal Saddle	Engineering Thermoplastic
⑫	*3	45042	Strap Assy	304 Stainless Steel - PVC cushion
⑬	4	46265	Strap Screw	5/16-18 UNC, 18-8 Stainless Steel
ELEMENT INTERFACE				
⑭	2	As Required	Adapter	Engineering Thermoplastic
⑮	1	50733	Thrust Ring	PVC Thermoplastic, White
⑯	2	45308	Adapter Seal	Ethylene Propylene - O-Ring
⑰	A/R	As Required	PWT Seal	Ethylene Propylene - O-Ring
*2 each furnished with length code 1, 2 & 3				

Shell Length Code	L L.O.A. IN (MM)	P Port to Port IN (MM)	S Span IN (MM)	Empty Weight LB (KG)
1	60.5 (1536)	45.0 (1143)	28 X 1 (711)	115 (52)
2	100.5 (2553)	85.0 (2159)	56 X 1 (1422)	155 (70)
3	140.5 (3569)	125.0 (3175)	80 X 1 (2032)	200 (91)
4	180.5 (4585)	165.0 (4191)	64 X 2 (1626)	240 (109)
5	220.5 (5601)	205.0 (5207)	78 X 2 (1981)	285 (129)
6	260.5 (6617)	245.0 (6223)	92 X 2 (2337)	325 (147)
7	300.5 (7633)	285.0 (7239)	106 X 2 (2692)	365 (166)



MODEL E8S/SP				
SEAWATER RO PRESSURE VESSEL				
SIDEWALL PORTING				
DRAWN KR 22JAN08	ECN 1698	SHEET 1 OF 2	SIZE B	NUMBER 507030
CHECKED MD 22JAN08				REV P
APPROVED SS 22JAN08				

- NOTES
- SHELL EXTERIOR COATED WITH WHITE, HIGH GLOSS POLYURETHANE PAINT
 - DIMENSION IN INCHES (MM APPROX.)
 - NOT TO BE USED FOR CONSTRUCTION UNLESS CERTIFIED

