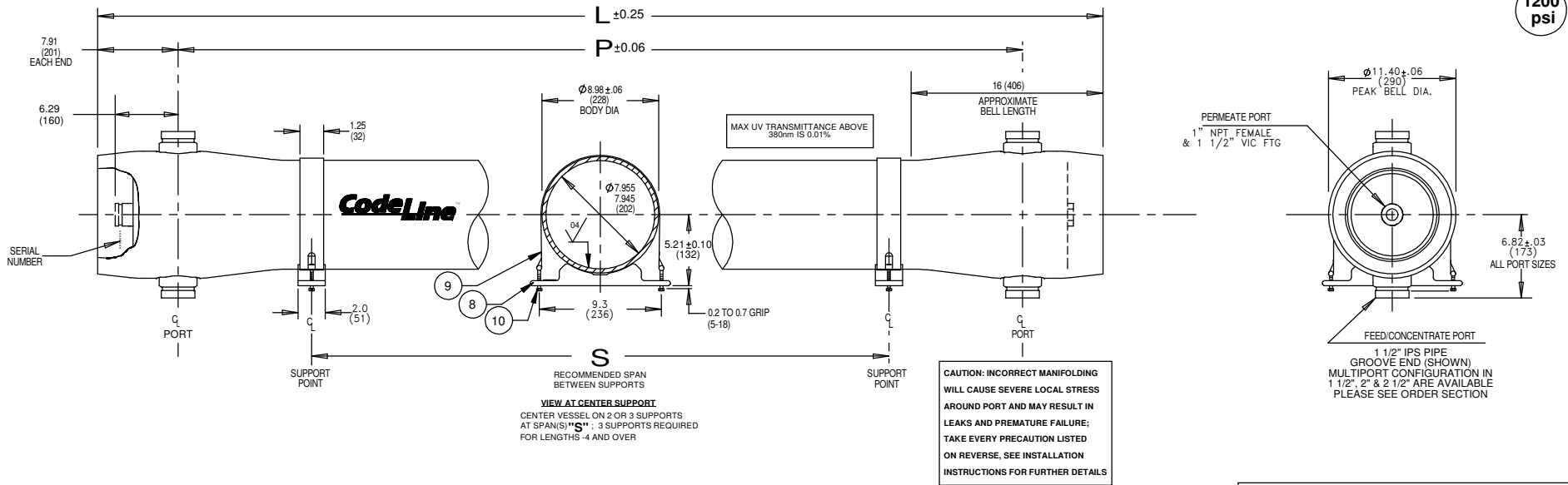


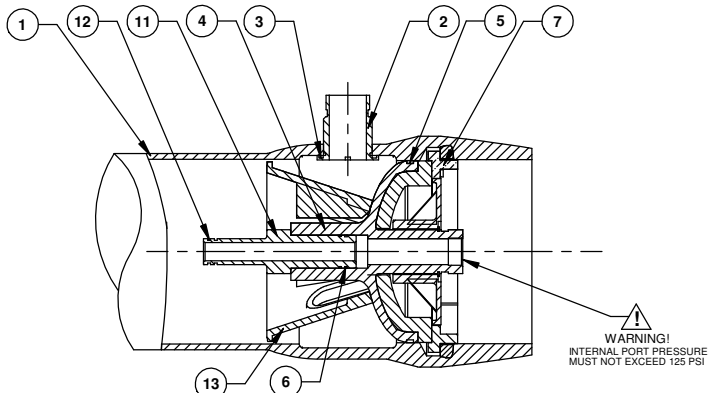
1200
psi



VIEW AT CENTER SUPPORT
CENTER VESSEL ON 2 OR 3 SUPPORTS
AT SPAN(S)H** - 3 SUPPORTS REQUIRED
FOR LENGTHS 4 AND OVER

| Dwg. Ref. | Qty. Per | Part Number | Description | Materials/Remarks |
|-------------------|----------|---------------|------------------|--|
| SHELL | | | | |
| 1 | 1 | | Shell | Filament wound epoxy/glass composite-Head locking grooves integrally wound in-place. |
| 2 | A/R | ORDER SECTION | F/C Port | CN3MN |
| 3 | A/R | | F/C Port Seal | EPDM |
| HEAD | | | | |
| 4 | 2 | 96036 | Head Assy | Noryl backed with Steel |
| 5 | 2 | 52574 | Head Seal | EPDM - Square Cut |
| 6 | 2 | 52245 | Adapter ,seal | EPDM - O-ring |
| HEAD INTERLOCK | | | | |
| 7 | 2 | 52510 | Locking Ring | Steel SA 105, Nickel Plated. |
| VESSEL SUPPORT | | | | |
| 8 | *3 | 52169 | Universal Saddle | Engineering Thermoplastic |
| 9 | *3 | 45042 | Strap Assy | 304 Stainless Steel - PVC cushion |
| 10 | 6 | 46265 | Strap Screw | 5/16-18 UNC, 18-8 Stainless Steel |
| ELEMENT INTERFACE | | | | |
| 11 | 2 | A/R | Adapter | Engineering Thermoplastic |
| 12 | A/R | A/R | PWT SEAL | EPDM |
| 13 | 1 | 52609 | Thrust Cone | Engineering Thermoplastic |

* 2 each furnished with length code 1, 2 & 3



- NOTES
- MAX. ANGULAR VARIATION BETWEEN ANY PORTS $\pm 0.5^\circ$
 - SHELL EXTERIOR COATED WITH WHITE, HIGH GLOSS POLYURETHANE PAINT
 - DIMENSION IN INCHES (MM APPROX.)
 - NOT TO BE USED FOR CONSTRUCTION

SECTION THROUGH END CLOSURE
ITEM 13 DOWNSTREAM ONLY

| Shell Length Code | L L.O.A. IN (MM) | P Span IN (MM) | S Span IN (MM) | Approx. Weight LB (KG) |
|-------------------|------------------|----------------|----------------|------------------------|
| 1 | 63 (1600) | 47.0 (1194) | 28X 1 (711) | 185 (84) |
| 2 | 103 (2616) | 87.0 (2210) | 56 X 1 (1422) | 229 (104) |
| 3 | 143 (3632) | 127.0 (3226) | 80 X 1 (2032) | 273 (124) |
| 4 | 183 (4648) | 167.0 (4242) | 64 X 2 (1626) | 318 (144) |
| 5 | 223 (5664) | 207.0 (5258) | 78 X 2 (1981) | 362 (164) |
| 6 | 263 (6680) | 247.0 (6274) | 92 X 2 (2337) | 406 (184) |
| 7 | 303 (7696) | 287.0 (7290) | 106 X 2 (2692) | 450 (204) |



| | | | | | |
|-------------------|---|-----------------|------------|-----------------|----------|
| DRAWN ARBP | CODELINE OCTA 80R120 MEMBRANE HOUSING | | | | |
| CHECKED SM | | | | | |
| DATE 28 SEP 04 | ECN 978 | SHEET 1 OF 2 | SIZE A3 | NUMBER 99124 | REV E |

RATING:

DESIGN PRESSURE.....1200 PSIG at 150°F
 (8.3 MPa at 66°C)
 MIN. OPERATING TEMP.....20°F
 (-7°C)
 FACTORY TEST PRESSURE.... CE / ASME
 1800 PSIG / 1320 PSIG
 (12.41 MPa) (9.10 MPa)
 QUALIFICATION PRESSURE.....7200 PSI
 (49.64 MPa)

INTENDED USE:

The CodeLine OCTA 80R120 Fiberglass RO Pressure Vessel is designed for continuous, long term use as a housing for reverse osmosis membrane elements to desalt typical brackish and sea waters at pressures up to 1200 psi. Any make of eight-inch nominal diameter spiral-wound element is easily accommodated; the appropriate interfacing hardware for the element specified is furnished with the vessel.

The CodeLine OCTA 80R120 with Steel Backed Noryl Head is designed in accordance with the engineering standards of the Boiler and Pressure Vessel Code of the American Society of Mechanical Engineers (ASME) Code. At small additional cost vessels can be inspected during construction by an ASME Authorized Inspector and ASME Code stamped.

The CodeLine OCTA 80R120 must be installed, operated and maintained in accordance with the listed precautions and good industrial practice to assure safe operation over a long service life.

The high performance Filament wound FRP shell must be allowed to expand under pressure; undue restraint at support points or piping connections can cause leaks to develop in the shell. This side-ported vessel requires special precautions in mounting and connection to piping so that the vessel will not be subjected to excessive stress due to bending moments acting at the side openings in the fiberglass shell. The end closure, incorporating close fitting, interlocking metal components, must be kept dry and free of corrosion; deterioration can lead to catastrophic mechanical failure of the head.

Pentair Water will assist the purchaser in determining the suitability of this standard vessel for their specific operating conditions. The final determination however, including evaluation of the standard material of construction for compatibility with the specific corrosive environment, shall be the responsibility of the purchaser. Alternate materials with enhanced corrosion resistance are available on special order.

Note: This vessel can be operated at 190°F (88°C) upto 600 psi (4.1 MPa)

PRECAUTIONS:

- DO...read, understand and follow all instructions; failure to take every precaution will void warranty and may result in vessel failure
- DO...mount the shell on horizontal members at span "S" using compliant vessel supports furnished; tighten hold down straps just snug
- DO...align and center side ports with the manifold header. Correct, causes of misalignment in a row of vessels connected to the same header
- DO...use flexible type grooved-end pipe couplings, Victaulic® Style 77 or equal, at side ports; allow full, 0.125 inch gap between port and piping, and position piping to maximize flexibility of connection.
- DO...provide flexibility in, and support for piping manifolds so that vessel can grow in length under pressure without undue restraint; provide additional flexible joints in large pipes leading to manifold header.
- DO...provide overpressure protection for vessel set at not more than 105% of design pressure
- DO...inspect end closures regularly; replace components that have deteriorated and correct causes of corrosion
- DO NOT...work on any component until first verifying that pressure is relieved from vessel
- DO NOT...make rigid piping connections to ports or clamp vessel in any way that restricts growth of fiberglass shell under pressure;
 ***ΔDIA = 0.015 in. (0.4mm) and
 ***ΔL = 0.2 in. (6mm) for a length code -7 vessel
- DO NOT... hang piping manifolds from ports or use vessel in any way to support other components
- DO NOT...tighten Permeate Port connection more than one turn past hand tight
- DO NOT... operate vessel without connecting both Permeate Ports internally to complete set of elements or otherwise plug ports internally so that external piping connection is not subjected to feed pressure
- DO NOT...install Spacer on downstream end of vessel
- DO NOT...operate vessel without Thrust Cone installed downstream
- DO NOT...pressurize vessel until double-checking to verify that the Locking Ring is in place and fully seated.
- DO NOT...operate vessel at pressure and temperature in excess of its rating.
- DO NOT...operate vessel with permeate pressure in excess of 125 psi at 190°F (0.86 MPa at 88°C).
- DO NOT...tolerate leaks or allow end closures to be routinely wetted in any way
- DO NOT...operate outside the pH range 3-10.

ORDERING:

Using the chart below, please check the features you require and fax them with your purchase order to our customer service department for further processing.
 For optional materials and / or feature not listed below, please consult the factory for pricing and availability

VESSEL LENGTH CODE – please check one

MODEL OCTA 80R120 -1 -2 -3 -4 -5 -6 -7

MEMBRANE BRAND AND MODEL – please check one and fill in information

- Please supply adapters for the following membrane brand and specific model
 Brand _____ Model _____
- Membrane brand and model information is not currently available, but will be supplied to Pentair Water on or before the following date. ___ / ___ / ___

CERTIFICATION REQUIRED

- ASME Stamped and National Board Registered (please consult factory for pricing)
- CE Marked
- NSF / ANSI-61 Certified
- Standard, Certified by Pentair water.

MATERIAL AND PORT CONFIGURATIONS OPTIONS – please check one

- Standard: all materials and port configurations as per drawing 99124 on the previous page
 NOTE: The options listed below will increase the vessel price. Call factory for pricing details.
- Option: Customer specified port configuration. Using the chart below, please indicate the customized options you require for each end of the pressure vessel (multiple options are available at each end).
 (Please consult factory as these options will affect pricing and vessel lead time)

FEED PORT CONFIGURATION

- Standard – 1½” IPS pipe, grooved ends, with ports in-line
- Optional – Multi-Ports™

Using the instructions in Order Specification Sheet #99007 please fill out your feed port configuration in the space below. Ports not available in 90° configurations. List port location first, followed by port size for each port.

Serial number end

Opposite end

For complete information on proper use of the vessel
 Please refer to the OCTA 80R Series USER'S GUIDE

| PORT SIZE CODE | |
|----------------|-----------------|
| D | 1½” GROOVED END |
| E | 2” GROOVED END |
| F | 2½” GROOVED END |

