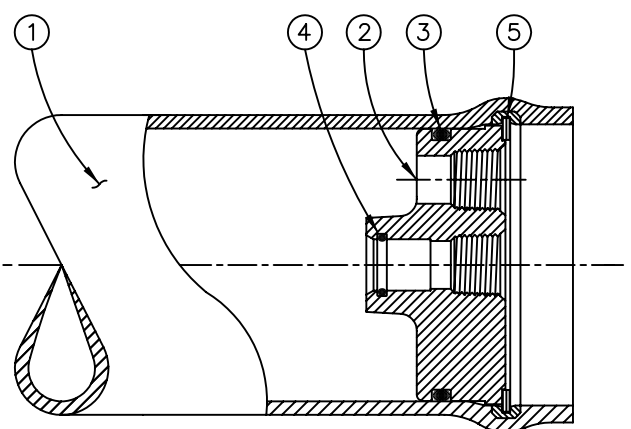
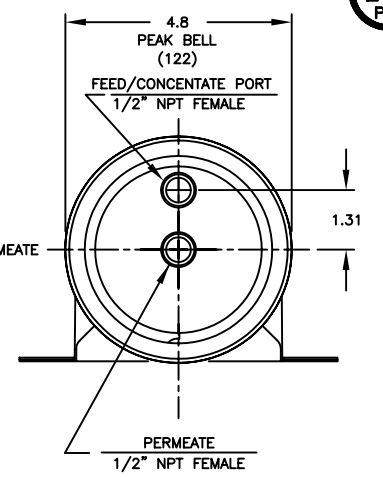
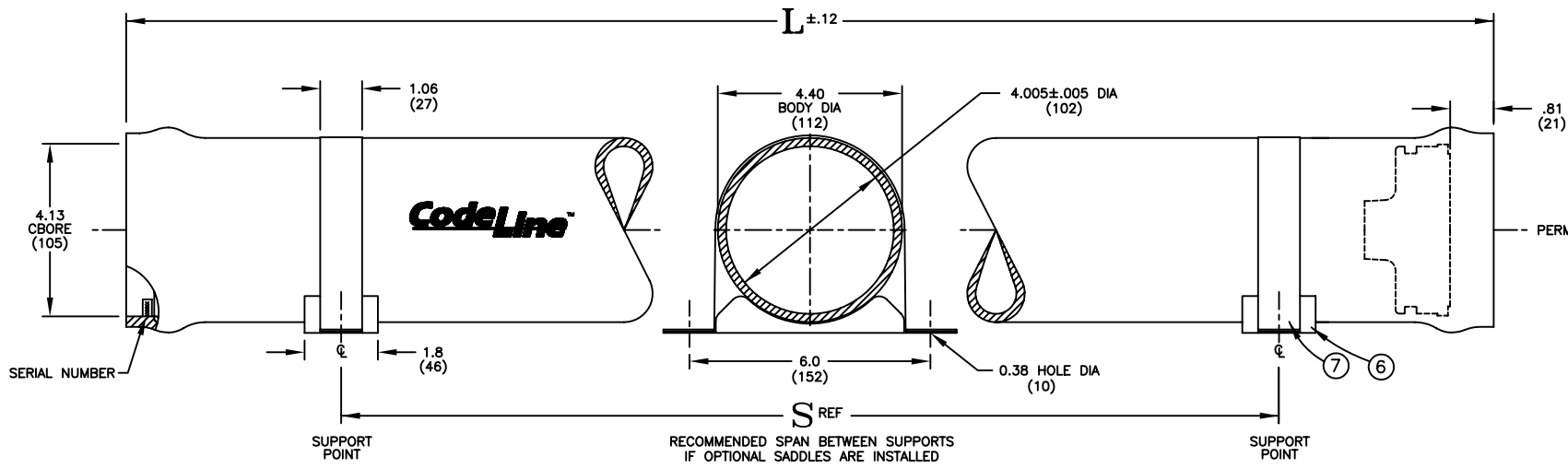


250
PSI



SECTION THROUGH END CLOSURE

* PART LISTED ARE STANDARD OPTIONS

Dwg. Ref.	Qty. Per	* Part Number	Part Name	Materials/Remarks
SHELL				
①	1		Shell	Filament wound epoxy/glass composite. Head locking grooves integrally wound in place. Shell exterior coated with blue high gloss polyurethane paint.
HEAD				
②	2	51675	Bearing/Sealing Plate	PVC Thermoplastic (gray) - 120° F Max
③	2	45317	Plate Seal	Ethylene Propylene - O-Ring
④	2	45296	PWT Seal	Ethylene Propylene - O-Ring
HEAD INTERLOCK				
⑤	2	46414	Retaining Ring	302 SST
VESSEL SUPPORT				
⑥	2	45058	Saddle - OPTIONAL	Cast Urethane Elastomer
⑦	2	47459	Strap - OPTIONAL	Type 304 SST - PVC cushion

FOR REFERENCE ONLY

NOTES

- DIMENSIONS IN INCHES (MM APPROX)
- NOT TO BE USED FOR CONSTRUCTION UNLESS CERTIFIED
- PATENT APPLIED FOR

Shell Length Code	L L.O.A. IN (MM)	S Span IN (MM)	APPROX. ASSEMBLY WEIGHT LB (KG)
B1	18 (457)	Any	4.50 (2.0)
C1	25 (635)	Any	5.75 (2.6)
1	44 (1118)	Any	9.00 (4.1)
2	84 (2134)	56 (1422)	16.0 (7.3)
3	124 (3150)	80 (2032)	23.0 (10.5)



ENGR AP 23FEB99	MODEL 40E25				
QLTY RAP 23FEB99	LOW PRESSURE MEMBRANE HOUSING				
MRKT DWE 23FEB99	ECO 89604	SHEET 1 OF 1	SIZE B	NUMBER 518012	REV C

RATING:

DESIGN PRESSURE.....250 PSI at 120°F
 (1.7 MPa at 49°C)
 MIN. OPERATING TEMP.....20°F
 (-7°C)
 FACTORY TEST PRESSURE.....375 PSI
 (2.6 MPa)
 BURST PRESSURE.....1500 PSI
 (10.3 MPa)

INTENDED USE

The Model 40E25 Fiberglass RO/UF Pressure Vessel is designed for continuous, long-term use as a housing for single reverse osmosis and ultrafiltration elements in typical commercial water treatment systems at pressures up to 250 psi. Any make of 4-inch nominal diameter spiral-wound element with a 3/4" diameter male product water tube is easily accommodated.

The Model 40E25 must be installed, operated and maintained in accordance with the listed precautions, and good industrial practice to assure safe operation over a long service life.

The high performance reinforced plastic shell must be allowed to expand under pressure; undue restraint at support points or piping connections can cause leaks to develop in the shell. The end closure, incorporating close-fitting, interlocking metal components, must be kept dry and free of corrosion; deterioration can lead to catastrophic mechanical failure of the head assembly.

Pentair Water, will assist the purchaser in determining the suitability of this standard vessel for their specific operating conditions. The final determination however, including evaluation of the standard materials of construction for compatibility with the specific corrosive environment, shall be the responsibility of the purchaser.

Specifications subject to change without notice.

PRECAUTIONS

- DO... read, understand and follow all instructions; failure to take every precaution will void warranty and may result in vessel failure
- DO... mount shell on horizontal or vertical members at central span "S" using compliant vessel supports; tighten hold down straps just snug.
- DO... provide overpressure protection for vessel set at not more than 105% of design pressure
- DO... inspect end closures regularly; replace components that have deteriorated and correct causes of corrosion
- DO NOT... make rigid piping connections to ports or clamp vessel in any way that restricts growth of fiberglass shell under pressure; ▲DIA = 0.01 in. (0.25mm) and ▲L = .03 in. (.8mm) for a length code -1 vessel
- DO NOT... hang piping manifolds from ports or use vessel in any way to support other components
- DO NOT... operate vessel at pressures and temperatures in excess of its rating
- DO NOT... operate vessel without element installed.
- DO NOT... operate vessel with permeate port pressure in excess of 125 PSI (0.9 MPa) at 120°F (49°C)
- DO NOT... tolerate leaks or allow end closures to be routinely wetted in any way
- DO NOT... pressurize vessel until double checking to verify that the retaining rings are in place
- DO NOT... work on any component until first verifying that pressure is relieved from vessel

CAUTION:
 EYE PROTECTION SHOULD BE WORN WHEN REMOVING OR INSTALLING RETAINING RINGS.
 KEEP FINGERS CLEAR FROM RETAINING RING WHILE INSTALLING LAST OF TWO TURNS.
 RING MAY SNAP INTO POSITION POSSIBLY PINCHING FINGERS.

ORDERING

Please specify the following:

- VESSEL MODEL
- MEMBRANE ELEMENT MAKE AND MODEL NUMBER
- SPECIFIC CONCERNS regarding INTENDED USE and requests for SPECIAL MATERIALS of CONSTRUCTION

40E25-

SHELL LENGTH/ELEMENT INTERFACE

Code	Element Capacity
-B1	One 14" Direct Connect
-C1	One 21" Direct Connect
-1	One 40" Direct Connect
-2	Two 40" Direct Connect
-3	Three 40" Direct Connect

SHELL FINISH

Exterior Shell Finish
Blue, high-gloss polyurethane coating

CERTIFICATION

Certification Grade
Certified by Codeline Division, not ASME Code stamped

OPTIONS

END PLUG MATERIALS

MATERIALS
* Polyvinyl Chloride
Polyethylene Terephthalate

PERMEATE PORT CONFIGURATIONS

Port Sizes
* 1/2" NPT Female
1/2" BSP/JIS Female

FEED/CONC. PORT CONFIGURATIONS

Port Sizes
* 1/2" NPT Female
1/2" BSP/JIS Female

* STANDARD OPTIONS