



Pentair
Water Treatment

CODELINE ADAPTERS (ELEMENT INTERFACE)

A new style of membrane adapter was introduced in 2002 that was a molded part with the addition of an O-Ring on the end of the adapter that was inserted into the permeate port of the 8" CodeLine head assembly.

This adapter is a direct replacement for the original style that was machined and did not have the O-Ring on the end that was inserted into the permeate port.

The design change was made to accommodate all of the permeate ports that could be used in the CodeLine head assemblies regardless of whether they incorporated an internal adapter seal or if the permeate port did not incorporate an internal adapter seal.

The end of the adapter that has the single O-Ring is always inserted into the permeate port of the head assembly.

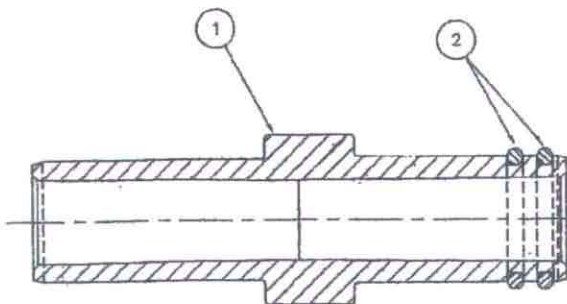
The use of the molded adapter in an older permeate port may be difficult to install due to the internal seal on the permeate port and the external seal on the adapter, but this can be overcome by the application of a lubricant (glycerin and water) to the O-Rings.

The O-Ring on the end of the adapter with the single O-Ring will always use O-Ring Kit CH 52656.

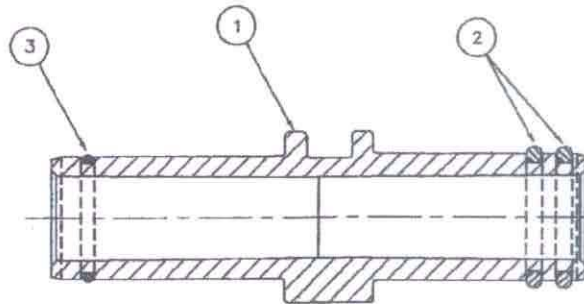
The Kit CH 52626 will contain (10) O-Rings.

The O-Rings on the opposite end (membrane end with dual O-Rings) will vary with the type of membrane being used.

NOTE: (See Drawing) Item (1) Adapter, Item (2) Dual O-Rings (membrane end)
Item (3) Single O-Ring (head end) New Style Only



ORRIGINAL STYLE (MACHINED) PVC OR PET



NEW STYLE (MOLDED) NORYL



STRUCTURAL



CodeLine
PRESSURE VESSELS