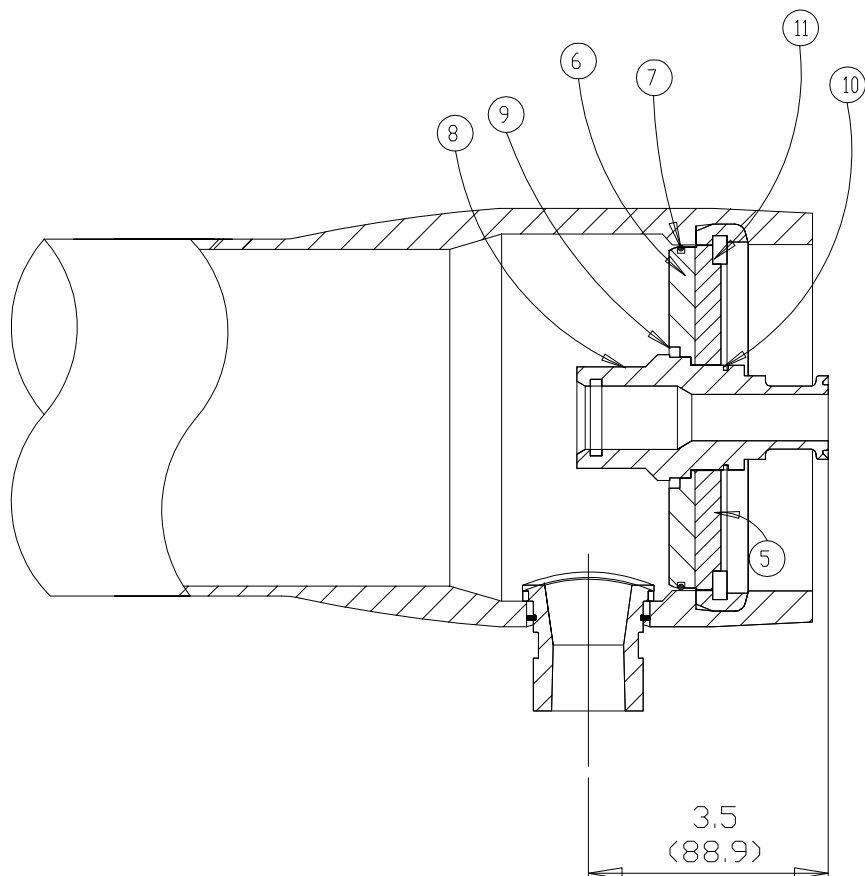


2

1

B

B



A

A

HEAD				
⑤	2	96803	Bearing Plate	316L Stainless Steel
⑥	2	97173	Sealing Plate	Engineering Thermoplastic
⑦	2	45317	Head Seal	Ethylene Propylene-O Ring
⑧	2	96867	Permeate Port	316L Stainless Steel
⑨	2	45335	Permeate Port Seal	Ethylene Propylene - O-ring
⑩	2	45242	Port Retainer	300 Series SST
HEAD INTERLOCK				
⑪	2	45260	Retaining Ring	316L SST
FOR REFERENCE ONLY				

**CodeLine™**  
**PRESSURE VESSELS**  
 PENTAIR WATER TREATMENT

DRAWN: MD	MODEL 40S30/45/60 SANITARY OPTION			
CHECKED: MD				
ECN 1812	SHEET 1 OF 1	SIZE B	NUMBER 99317	REV B

2

1