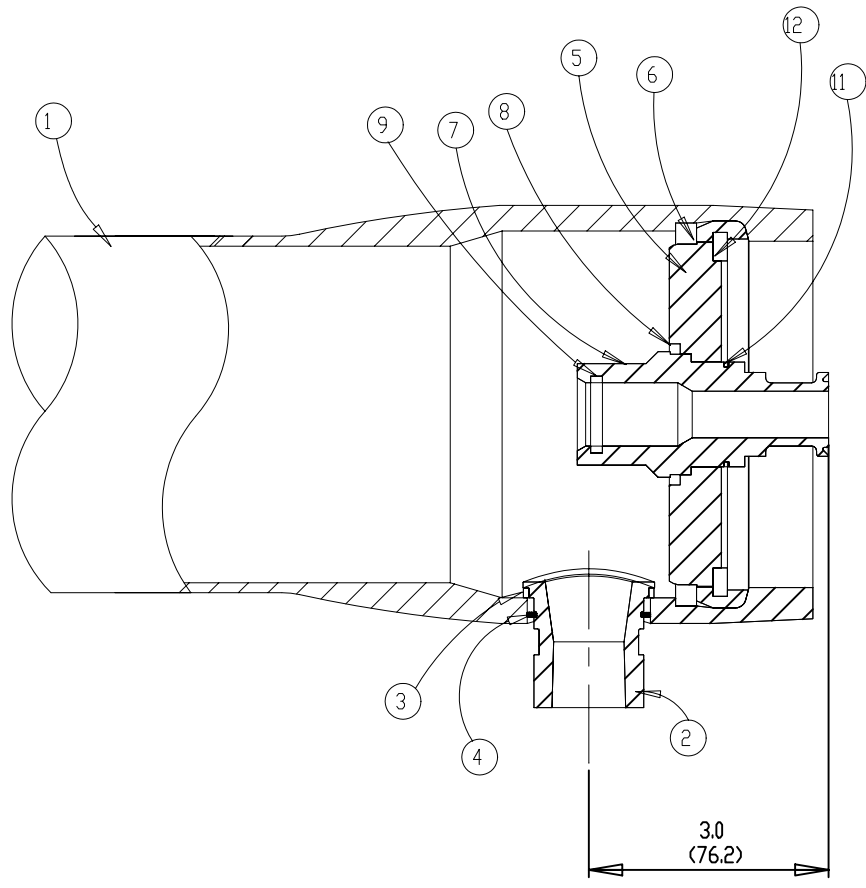


2

1

B

B



A

A

HEAD

⑤	2	98061	Bearing Plate	316L Stainless Steel
⑥	2	45352	Plate Seal	Ethylene Propylene - Square Cut
⑦	2	98062	3/4" Permeate Port	316L Stainless Steel
⑧	2	45335	Permeate Port Seal	Ethylene Propylene - Square Cut
⑨	4	45296	PWT/Adapter Seal	Ethylene Propylene - O-ring
⑩	2	As required	Adapter	Engineering Thermoplastic
⑪	2	45242	Port Retainer	300 Series SST

CodeLine™
 PRESSURE VESSELS
 PENTAIR WATER TREATMENT

HEAD INTERLOCK

⑫	2	45260	Retaining Ring	316L SST
---	---	-------	----------------	----------

DRAWN: ARBP
 CHECKED: SM

MODEL 40A30/45/60
 SANITARY OPTION

FOR REFERENCE ONLY

ECN
 559

SHEET
 1 OF 1

SIZE
 B

NUMBER
 99129

REV
 C

2

1